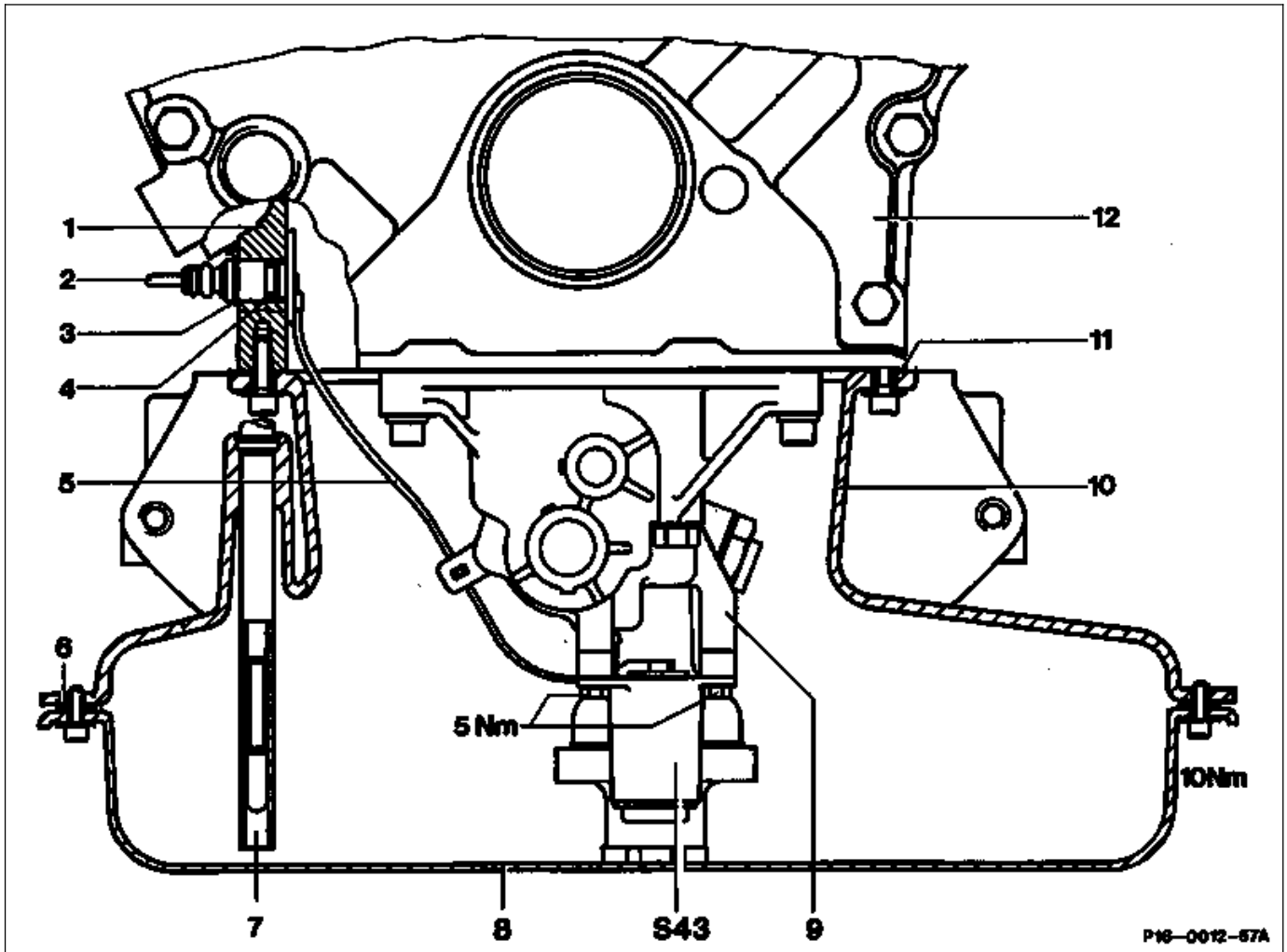


18-3300 Removing and installing oil level sensor

Preceding work:
Bottom engine compartment panel removed
(Maintenance Manual 6190).
Engine oil drained (18-0020).

Operation no. of operation texts and work units or standard
texts and flat rates
18-4111, 4113



Cable straps on bottom part of oil sump	detach, attach.
Oil line of automatic transmission on bottom part of oil sump (8)	unbolt, bolt on (9 Nm).
If level control fitted: high pressure flexible hose on bottom part of oil sump (8)	unbolt, bolt on (9 Nm).
Bottom part of oil sump (8)	unbolt, bolt on (9 Nm).
Sealing surfaces	clean.
Gasket (6)	replace.
Plug connection of oil level sensor (S43) at crankcase	unplug.
Locking element (3) at pin (2) of plug connection	pull off, fit on.
Oil level sensor (S43) with connection cable (5) and pin (2) of plug connection	remove, install.
Model 140: spacer sleeves	do not forget, see Note.
O-ring	replace.
Leaks	check with engine running.

Special tool



Note

Check length of spacer sleeves. Attach oil level sensor with 2 spacer sleeves, length 12 mm, part no. 119 991 02 40 and 2 M6×25 hexagon socket bolts, part no. 000 912 006 042, to oil pump. If spacer sleeves are too long (20 mm), oil warning lamp already lights up between Max. and Min. markings on dipstick.

Standard production break point of 12 mm long spacer sleeves (was 20 mm):

Engine no.

119.970 12 001 385

119.971 12 000 604